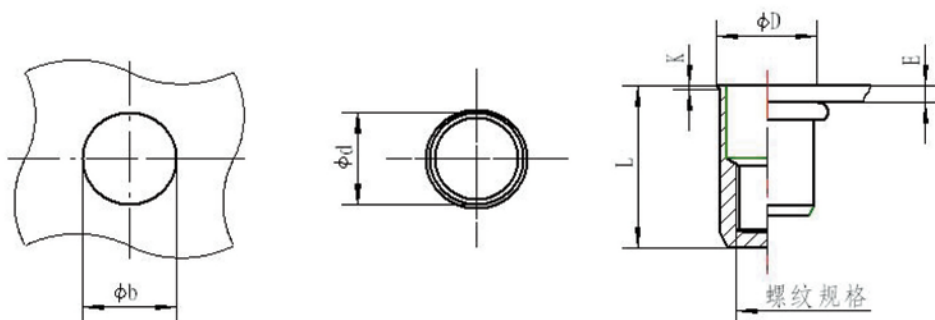




不锈钢小沉头圆柱体盲孔拉铆螺母 Stainless steel flat-head cylinder close-hole rivet nut

不锈钢小沉头圆柱体盲孔拉铆螺母

Stainless steel flat-head cylinder close-hole rivet nut



Thread
specification

螺纹规格	E=grip 铆接范围	L	b=drill dia 钻孔孔径	d=rivet dia 铆体直径	D	K
M4	0.5-2.0	15.5	6.0	6.0	6.5	0.5
M5	0.5-3.0	18.0	7.0	7.0	7.5	0.5
M6	0.5-3.0	21.5	9.0	9.0	9.5	0.5
M8	0.5-3.0	24.0	11.0	11.0	11.5	0.5

All dimensions in mm

Technical data subject to modification without prior notice

所有规格单位均为 mm，技术参数如有变动，恕不另行通知