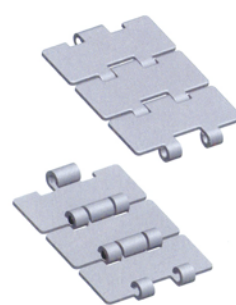
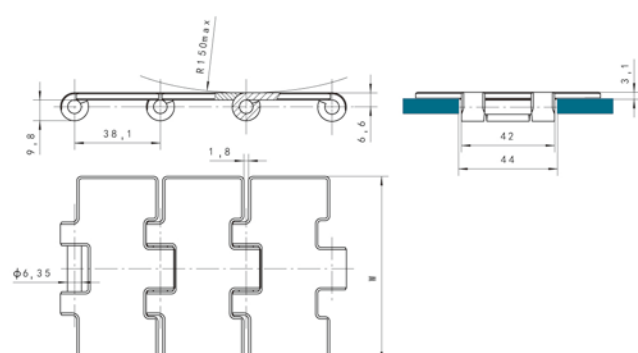


不锈钢单铰链式直输平顶链 Stainless Steel Single Hinge Straight Running Flat Top Chains

812/815系列
812/815 Series



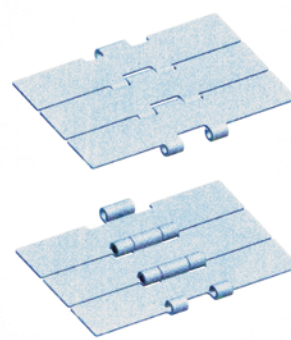
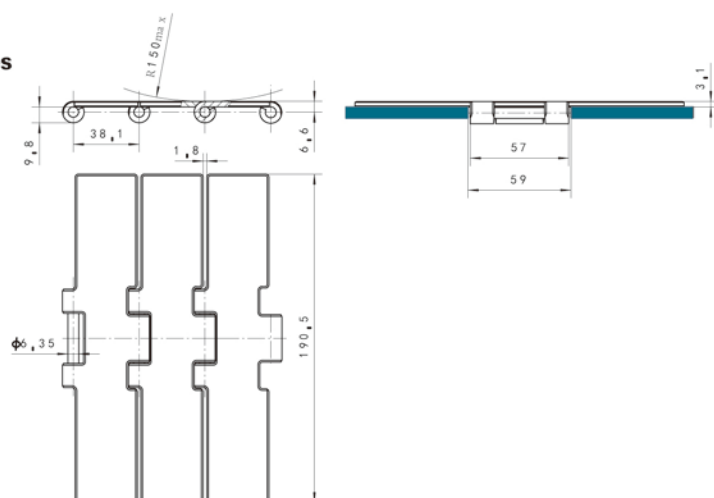
链号 Chain No.	链板 Plate			屈服强度 Yield Strength $\sigma_{0.2}$		重量 weight		
	材料 material	表面粗糙度 Surface finish	宽度 (Width)W		kN	lbf	kg/m	lb/ft
		μm	mm	inch				
C12S	马氏体型铬不锈钢 Martensitic Chromium Stainless Steel	0.8	76.2	3	6.25	1,406	2.47	1.66
C13S			82.5	3 1/4				
C14S			88.9	3 1/2				
C16S			101.6	4				
C18S			114.3	4 1/2				
C20S			127	5				
C24S			152.4	6				
C30S	190.5	7 1/2	5.07	3.40				
SS 812-K300	铁素体型铬不锈钢 Ferritic Chromium Stainless Steel	0.6	76.2	3	5.8	1,305	2.46	1.65
SS 812-K325			82.5	3 1/4				
SS 812-K330			83.8	3 19/64				
SS 812-K350			88.9	3 1/2				
SS 812-K400			101.6	4				
SS 812-K450			114.3	4 1/2				
SS 812-K600			152.4	6				
SS 812-K750	190.5	7 1/2	5.04	3.38				
Mega 815-K300	特殊铬镍钢 1.4589 Special Chromium-Nickel Steel 1.4589	0.3	76.2	3	8.5	1,910	2.47	1.66
Mega 815-K325			82.5	3 1/4				
Mega 815-K330			83.8	3 19/64				
Mega 815-K350			88.9	3 1/2				
Mega 815-K400			101.6	4				
Mega 815-K450			114.3	4 1/2				
Mega 815-K600			152.4	6				
Mega 815-K750	190.5	7 1/2	5.07	3.40				
SSA 815-K300	奥氏体型铬镍不锈钢 Austenitic Chromium-Nickel Stainless Steel	0.3	76.2	3	8	1.8	2.51	1.70
SSA 815-K325			82.5	3 1/4				
SSA 815-K330			83.8	3 19/64				
SSA 815-K350			88.9	3 1/2				
SSA 815-K400			101.6	4				
SSA 815-K450			114.3	4 1/2				
SSA 815-K600			152.4	6				
SSA 815-K750	190.5	7 1/2	5.16	3.48				

- 说明: 1. 链条遵循GB/T 4140和DIN 8153标准制造;
2. 同一宽度的链板有四种不同的材料可供选择, 以适应不同的工作场合;
3. 供货时, 每条链条的标准长度为3.048m (10ft), 计80节;
4. 链板间的间隙为1.8mm。

- Note: 1. These chains are built in accordance with Standard GB/T 4140 and DIN8153.
2. For the plates with a same width, there are 4 kinds of different materials to be available as an option, using to many different workplaces.
3. When supplied, the standard length of each chain is 3.048m (10ft), totaling 80 links.
4. The gap between plates is 1.8mm.

不锈钢单铰链式直输平顶链 Stainless Steel Single Hinge Straight Running Flat Top Chains

8157系列
8157 Series



链号 Chain No.	链板 Plate			屈服强度 Yield Strength $\sigma_{0.2}$		重量 weight		
	材料 material	表面粗糙度 Surface finish	宽度 (Width)W		kN	lbf	kg/m	lb/ft
		μm	mm	inch				
SS 8157-K750	铁素体型铬不锈钢 Ferritic Chromium Stainless Steel	0.6			7.2	1,620	5.30	3.56
Mega 8157-K750	特殊铬镍钢 1.4589 Special Chromium-Nickel Steel 1.4589	0.3	190.5	7 1/2	10.5	2,362	5.33	3.58
SSA 8157-K750	奥氏体型铬镍不锈钢 Austenitic Chromium-Nickel Stainless Steel	0.3			9.2	2,070	5.45	3.66

- 说明: 1. 重载链条, 相比于普通链条, 具有更宽的铰卷和更高的屈服强度;
2. 同一宽度的链板有三种不同的材料可供选择, 以适应不同的工作场合;
3. 供货时, 每条链条的标准长度为3.048m (10ft), 计80节。

- Note: 1. Compared with regular chains, the heavy-duty chains have a much wider hinge and much higher yield strength.
2. For the plates with a same width, there are 3 kinds of different materials to be available as an option, using to many different workplace.
3. When supplied, the standard length of each chain is 3.048m (10ft), totaling 80 links.