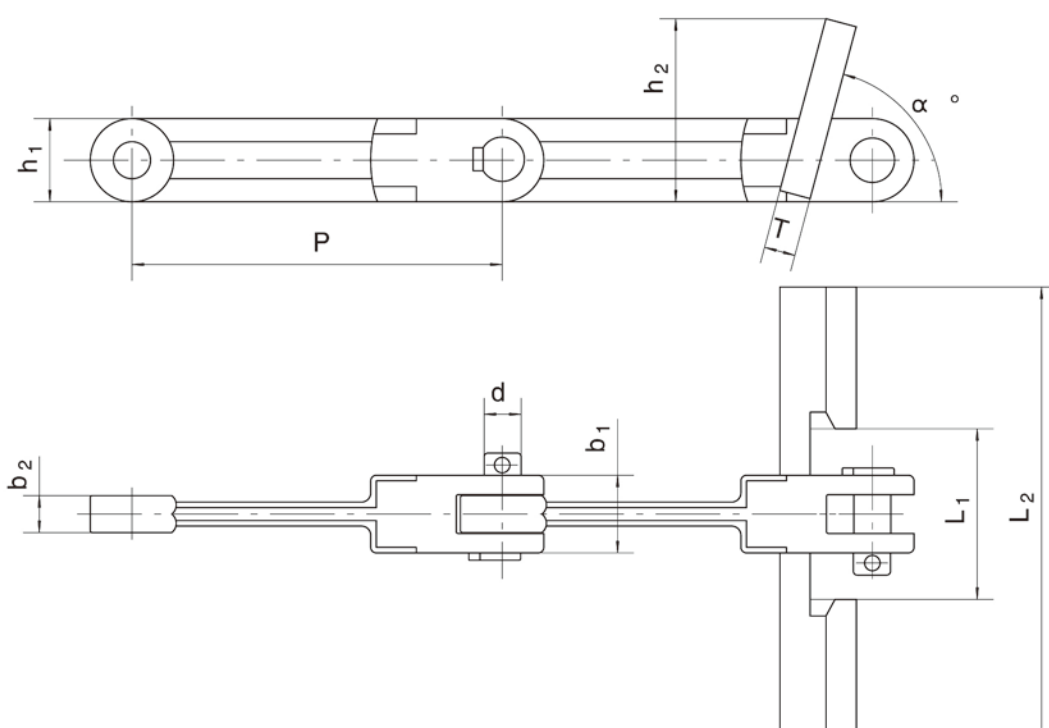
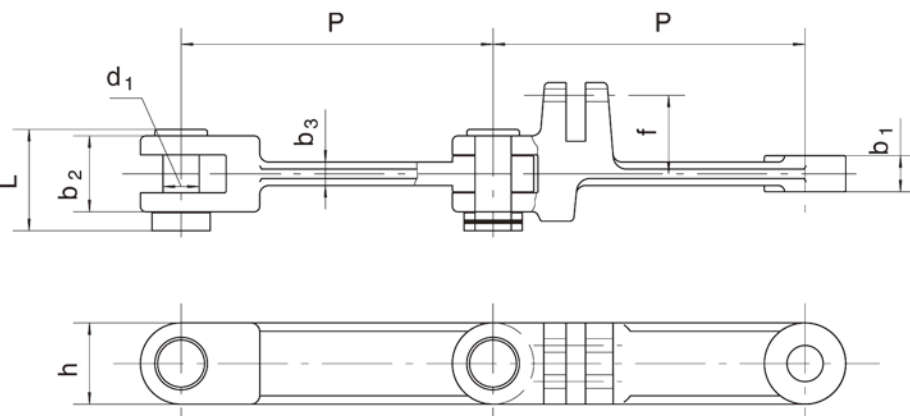


模锻刮板链 Forging Scraper Chain

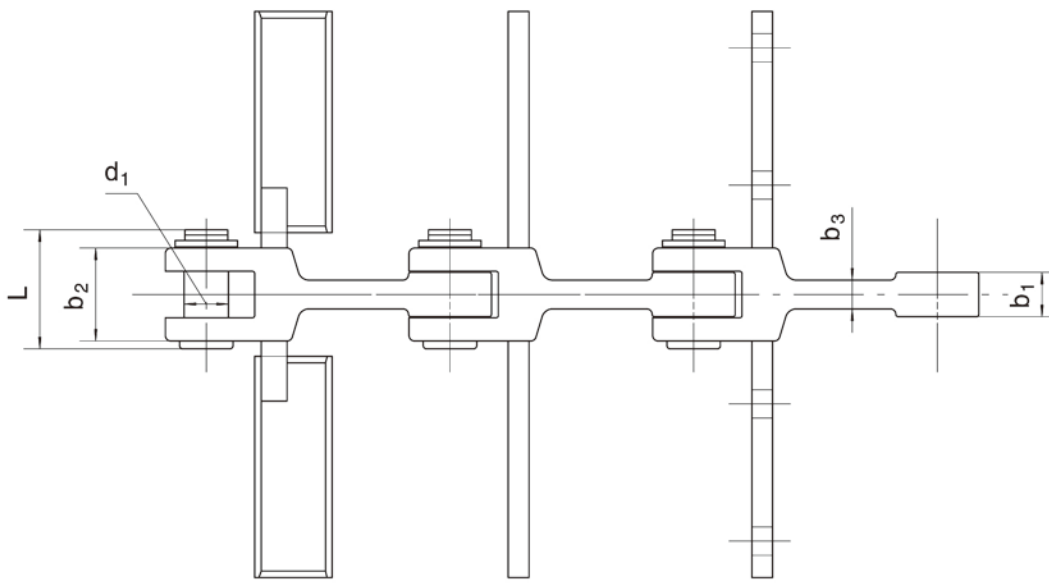
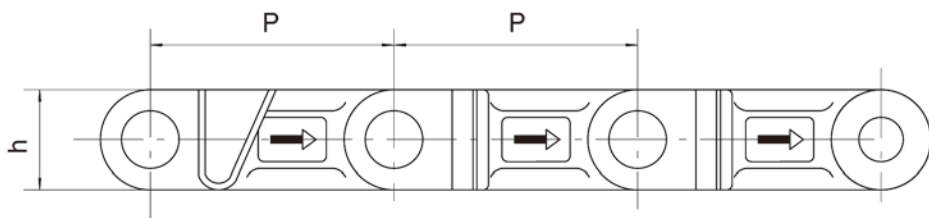


链号	节距	销轴	链板高度	链板厚度		刮板尺寸					最小抗拉强度
Chain No.	Pitch	pin	Height of sidebar	Thickness of sidebar		Dimensions of Scraper					Ultimate tensile strength
	P	d ₂	h ₁	b ₁	b ₂	L ₁	L ₂	h ₂	a°	T	Fu(min)
	mm	mm	mm	mm	mm	mm	mm	mm	mm	mm	kN
YD750	200	25	50	54	22	103	586	80	90	14	390
YD640	142	20	45	42	20	-	605	45	90	12	300
YD640A	142	23	48	42	18	-	300	48	75	14	230
YD640C	142	25	50	54	22	80	590	50	90	14	262.4
YD640D	150	25	50	54	22	90	590	82	90	14	262.4
YD200	200	18	40	38	16	-	177	40	75	8	162
YD310	200	20	46	44	20	-	280	46	75	12	162

模锻刮板链 Forging Scraper Chain

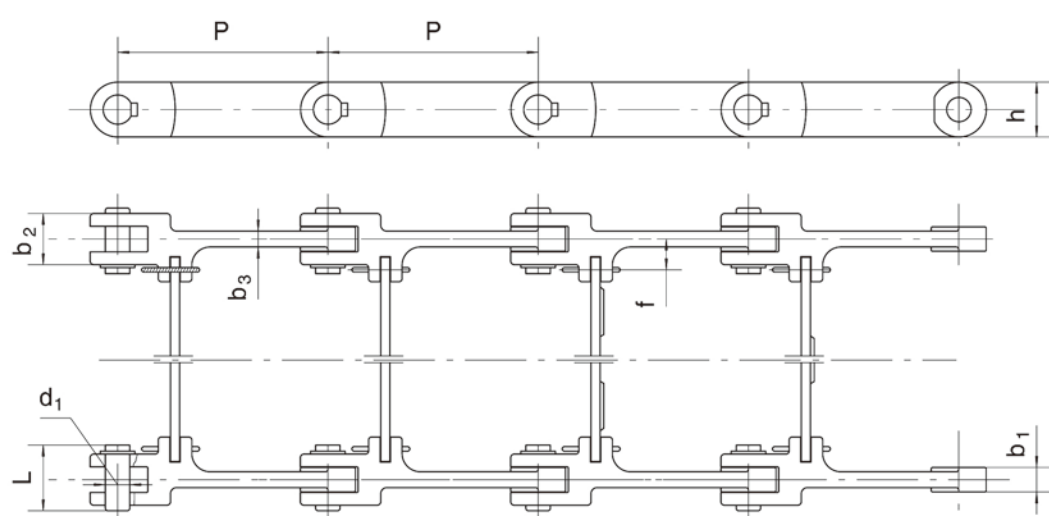


P	d ₁ (mm)	b ₁ (mm)	b ₂ (mm)	b ₃ (mm)	f (mm)	L (mm)
142	25	19	43	12.2	35	69

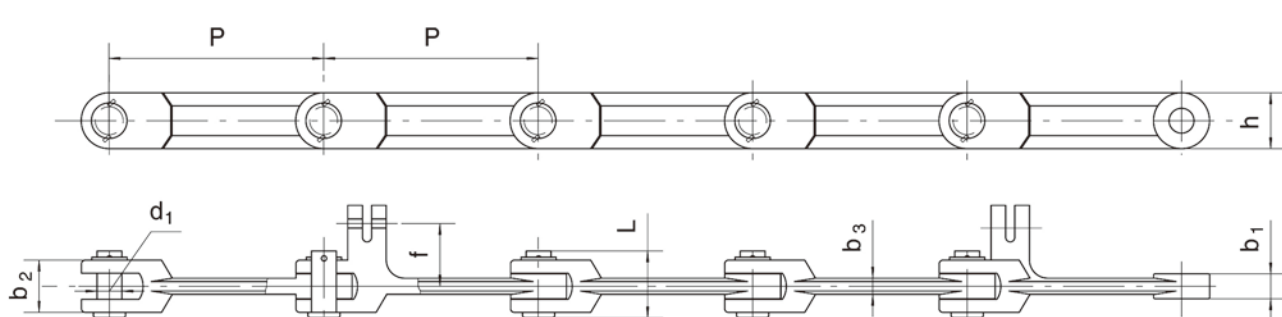


P	d ₁ (mm)	b ₁ (mm)	b ₂ (mm)	b ₃ (mm)	L (mm)
142	25	29	62	15	82

模锻刮板链 Forging Scraper Chain



P	d ₁ (mm)	h (mm)	b ₁ (mm)	b ₂ (mm)	b ₃ (mm)	f (mm)	L (mm)
200	25	50	24	58	17	38	75



P	d ₁ (mm)	h (mm)	b ₁ (mm)	b ₂ (mm)	b ₃ (mm)	f (mm)	L (mm)
200	32	64	23	50	15	66	75