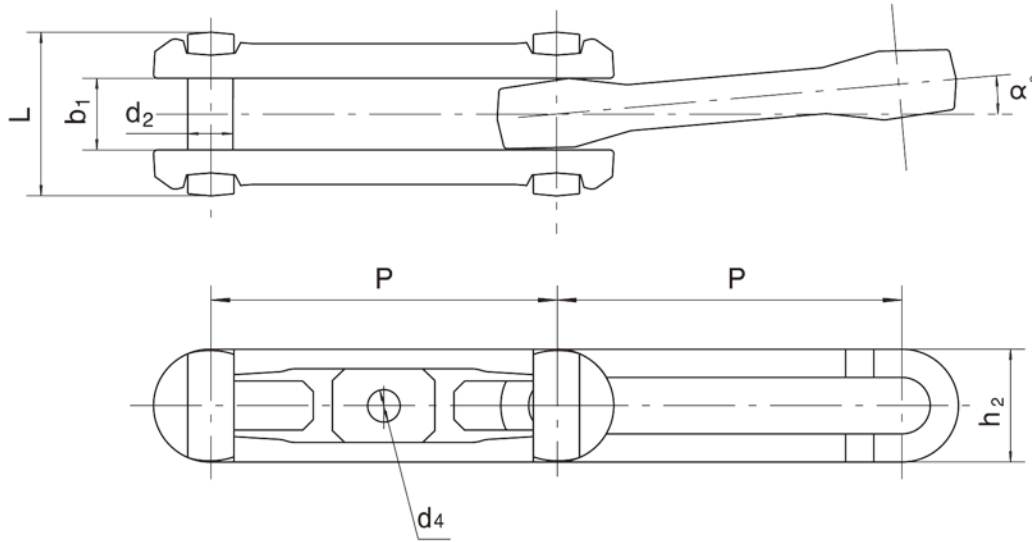


## 模锻可拆链 Forging Detachable Chain



链号	参考节距	销轴直径	销轴长度	标准测量长度	标准测量长度的节距数	侧向转角	链板宽度	最小抗拉强度	每米重量
Chain No.	Eeferenced pitch	Diameter of pin	Length of pin	Standard measurement length	Number of pitch of standard measurement Length	Side corner	Width of sidebar	Ultimate tensile strength	Weight per meter
	P	d <sub>2</sub>	L	( min/max )			h <sub>2</sub>	Fu(min)	q
	mm	mm	mm	mm			a°	mm	kN
X348	76.6	12.7	46	3050.5/3095.2	40	9	27	100	3.4
X458	102.4	16	57	3063.1/3090.2	30	9	35	210	5.2
X678	153.2	22.3	77	3055.1/3082.8	20	7	51.6	320	9.2
698	153.2	28	90	3055.1/3082.8	20	7	70	515	17.0
XT100	100	16	57	2991.3/3018.3	30	9	37	210	5.2
XT160	160	24	78	3190.7/3219.5	20	7	54	320	10.3