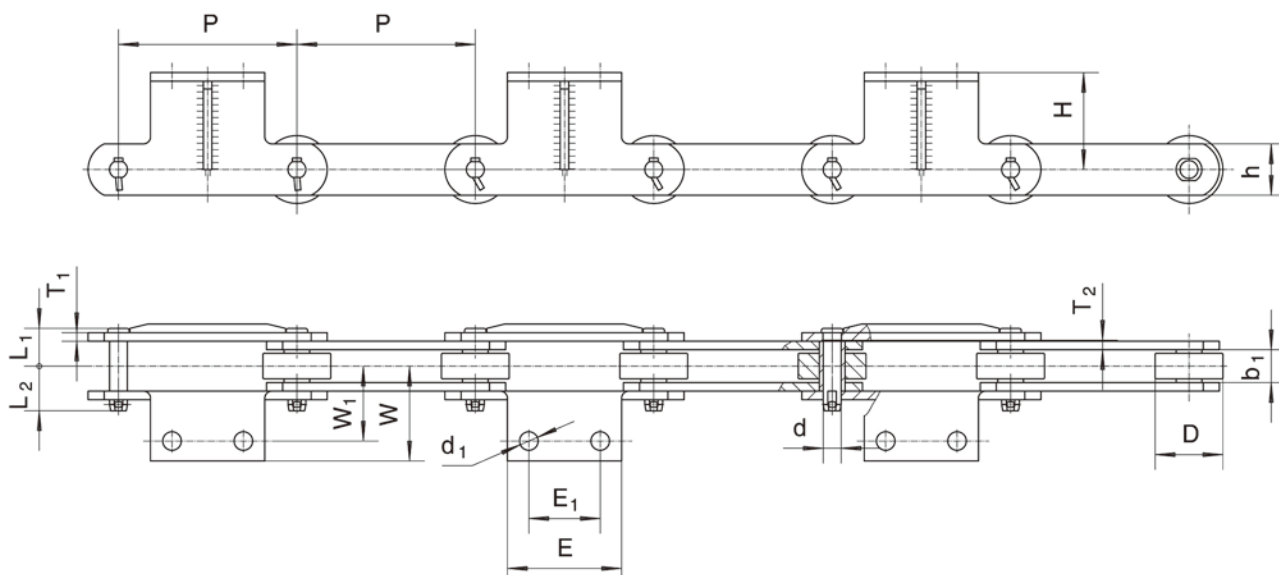


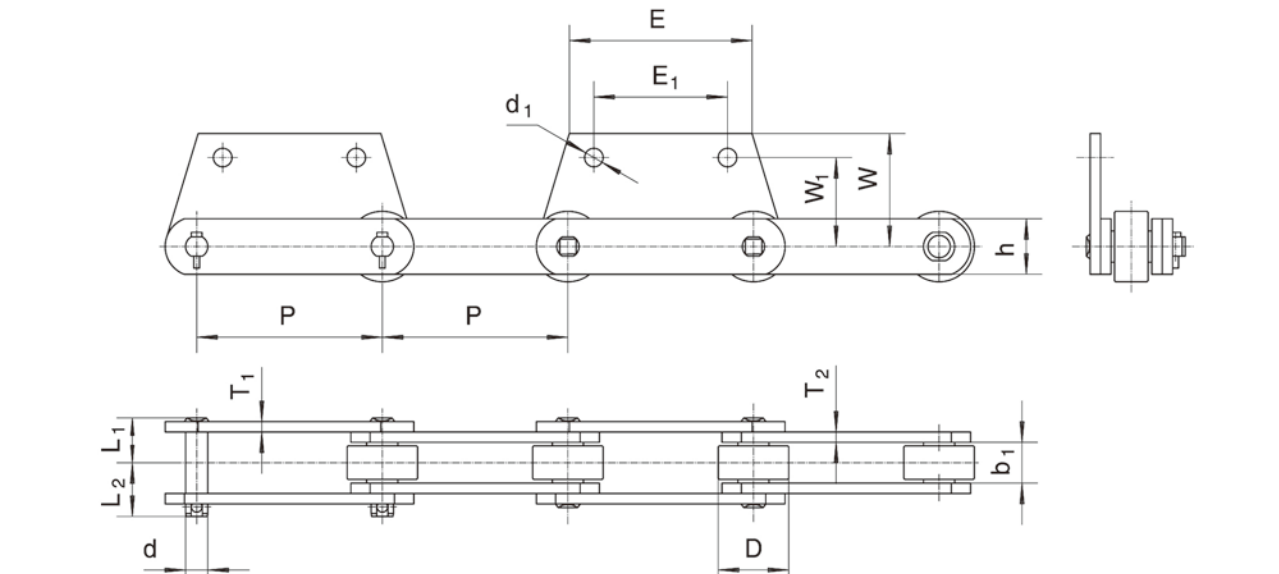
取料机链 Feed Taker Chains



链号	节距	内节内宽	滚子外径	销轴			链板		最小抗拉强度	每米重量
Chain No.	Pitch	Width between inner Sidebars	Roller Diameter	Pin			Sidebar		Ultimate Tensile Strength	Weight per Meter
	P	b _i (min)	D(max)	d	L ₁	L ₂	h	T ₁ /T ₂	Fu(min)	q
	mm	mm	mm	mm	mm	mm	mm	mm	kN	kg/m
SPN250A-A2	250	46	95	25	54.2	61.3	72	12	670	36.2
SPN250B-A2	250	42	80	24	52	60	60	12	520	26.8
SPN250C-A2	250	55.8	120	34	65	77.3	90	14	725	55.6
SPN250D-A2	250	50	90	30	59.35	67.95	75	14	750	37
SPN250F-A2	250	50	90	28	62.35	67.85	75	14	750	38
SPN315A-A2	315	50	120	36	58.7	67.8	80	12	610	42.8

链号	E ₁	E	W ₁	W	d ₁	H
Chain No.	mm	mm	mm	mm	mm	mm
SPN250A-A2	100	160	106	134.1	26	136
SPN250B-A2	100	152	83	112	21	150
SPN250C-A2	120	180	88.5	118.5	22	120
SPN250D-A2	100	150	98.5	127.5	26	131.5
SPN250F-A2	100	170	100	147	26	130
SPN315A-A2	130	190	89.5	125.5	21	140

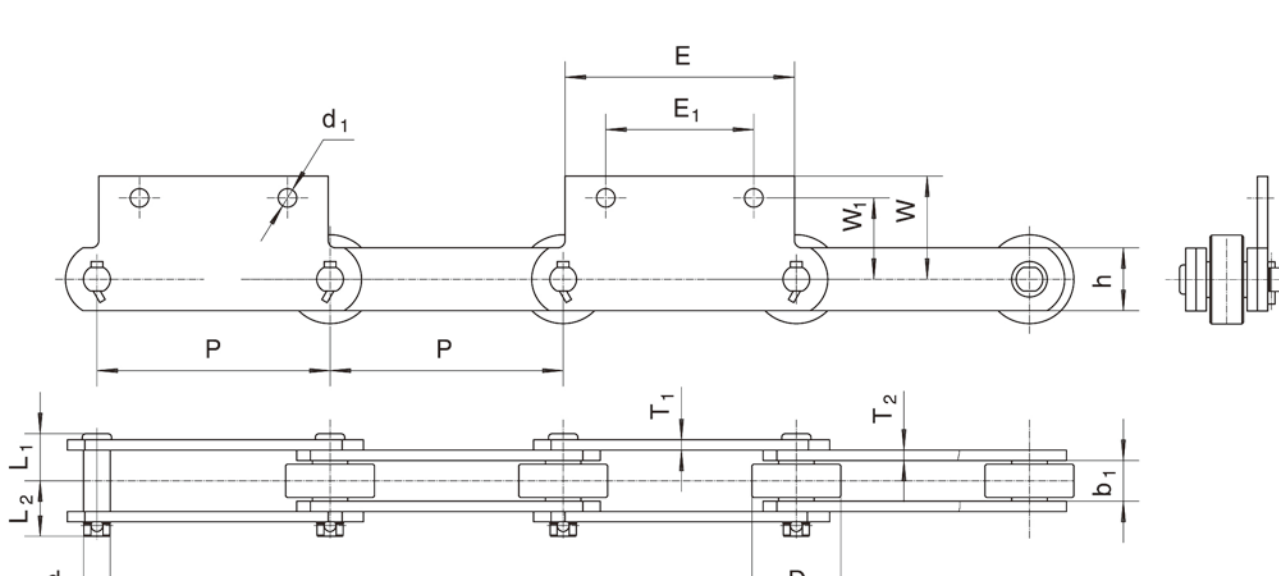
取料机链 Feed Taker Chains



链号	节距	内节内宽	滚子外径	销轴			链板		最小抗拉强度	每米重量
Chain No.	Pitch	Width between inner Sidebars	Roller Diameter	Pin			Sidebar		Ultimate Tensile Strength	Weight per Meter
	P	b _i (min)	D(max)	d	L	L	h	T ₁ /T ₂	Fu(min)	q
	mm	mm	mm	mm	mm	mm	mm	mm	kN	kg/m
SPN250-SH2	250	55	95	30	62	70	75	14	750	40
SPN250A-SH2	250	55	95	28	64.85	70.35	75	14	750	39.5
SPN315B-SH2	315	55	120	36	65	74	100	14	900	49.7
SPN315C-SH2	315	55	120	36	64.9	66.7	100	14	900	49.4
SPN315D-SH2	315	50	120	36	54.6	63.4	100	10	640	41.6
SPN315E-SH2	315	55	120	39	64.6	74.4	100	14	900	50.2
SPN315F-SH2	315	55	120	36	56.6	66.4	100	10	640	40.3
SPN315G-SH2	315	55	120	36	65	74	90	14	900	46.8
SPN315J-SH2	315	64	120	30	65.75	74.25	85	12/14	900	45.2
SPN315K-SH2	315	62.5	120	40	68.4	83.6	100	14	900	52.6
SPN315L-SH2	315	62.5	120	40	68.4	78.1	100	14	1078	52.1
SPN400-SH2	400	59.3	140	40	71.75	103.25	120	16	1500	64.5

链号	E ₁	E	W ₁	W	d ₁
Chain No.	mm	mm	mm	mm	mm
SPN250-SH2	180	246	120	152.5	25
SPN250A-SH2	180	253.6	110	140	25
SPN315B-SH2	200	315	110	140	25
SPN315C-SH2	200	315	110	140	25
SPN315D-SH2	200	305	130	160	25
SPN315E-SH2	200	330	110	140	25
SPN315F-SH2	200	305	130	160	25
SPN315G-SH2	200	315	110	140	25
SPN315J-SH2	200	315	130	159.5	25
SPN315K-SH2	200	315	110	150	25
SPN315L-SH2	200	315	110	140	25
SPN400-SH2	300	400	130	175	26

取料机链 Feed Taker Chains



链号	节距	内节内宽	滚子外径	销轴			链板		最小抗拉强度	每米重量
Chain No.	Pitch	Width Between inner Sidebar	Roller diameter	Pin			Sidebar		Ultimate Tensile Strength	Weight per Meter
	P	b _i (min)	D(max)	d	L ₁	L ₂	h	T ₁ /T ₂	Fu(min)	q
	mm	mm	mm	mm	mm	mm	mm	mm	kN	kg/m
SPN315-SH2	315	55	120	36	65	74	90	14	900	45.15

链号	E ₁	E	W ₁	W	d ₁
Chain No.	mm	mm	mm	mm	mm
SPN315-SH2	200	315	110	139.5	25